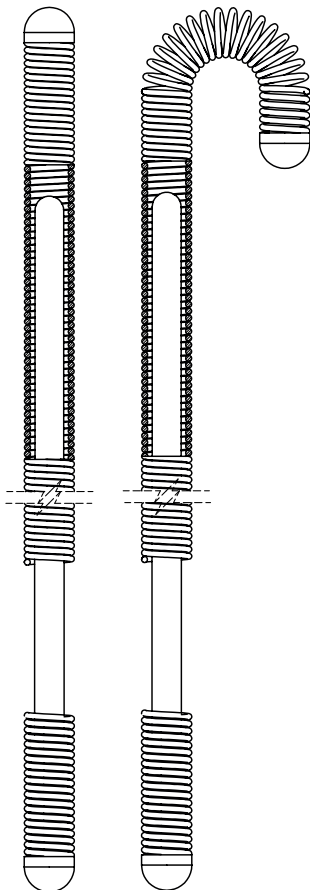


Accoat Guide Wire – Movable



Dimensions

Ø 0.032" / 0,81 mm
Ø 0.035" / 0,89 mm
Ø 0.038" / 0,97 mm

Length

30 – 450 cm

Surface

Stainless steel
PTFE coated

Distal tip form

Straight tip
J-tip radius: 1,5 – 3 – 6 – 15 mm

Shaft stiffness

Standard
Stiff

Customised products on request

Description of item code

(H)-M-(X)-S/Jx-(C)-0xx-L
(example: M-S-C-035-150)

M	Movable Guide Wire
H-M	Stiff Movable Guide Wire
S	Straight tip
Jx	J-tip radius J1.5 mm J3 mm J6 mm J15 mm
C	PTFE coated
Without C	stainless steel
0xx:	Diameter of the guide wire 032: 0.032" (0,81 mm) 035: 0.035" (0,89 mm) 038: 0.038" (0,97 mm)
L:	Length of the guide wire (from 30 – 450 cm)